

NOTES:

1. INSTALLATION SHALL COMPLY WITH ALL APPLICABLE NATIONAL AND LOCAL CODES.
2. SEE PRODUCT DOCUMENTATION FOR FURTHER INFORMATION.

THIS DRAWING AND SPECIFICATIONS HEREIN ARE THE PROPERTY OF SCHNEIDER ELECTRIC AND SHALL NOT BE COPIED, REPRODUCED OR USED IN WHOLE OR IN PART, AS THE BASIS FOR THE MANUFACTURE OR SALE OF ITEMS WITHOUT WRITTEN PERMISSION FROM SCHNEIDER ELECTRIC. THIS DRAWING IS BASED UPON LATEST AVAILABLE INFORMATION AND IS SUBJECT TO CHANGE WITHOUT NOTICE.



TITLE: Smart-UPS On-Line (SRT)
 SRT10KRMXLI + SRT192RMBP2 - RACKMOUNT
 INPUT: 220/230/240V (1Ø+N+G), 50/60Hz, 1Ø
 OR 380/400/415V (3Ø+N+G), 50/60Hz, 3Ø
 OUTPUT: 220/230/240V (1Ø+N+G), 50/60Hz, 1Ø
 UPS ISOMETRIC VIEWS

PROJECT: DRAWING SHEET 1 of 11

DWG NO: SRT10KRMXLI+SRT192RMBP2

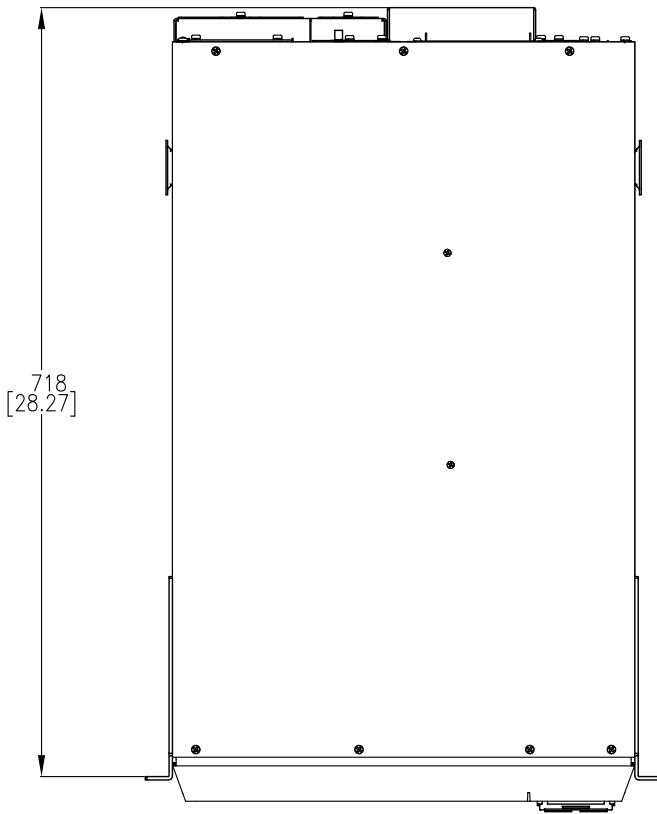
DRAWN BY: S CUNHA 04-JUN-14

ENGINEER: C KUMARSWAMY 04-JUN-14

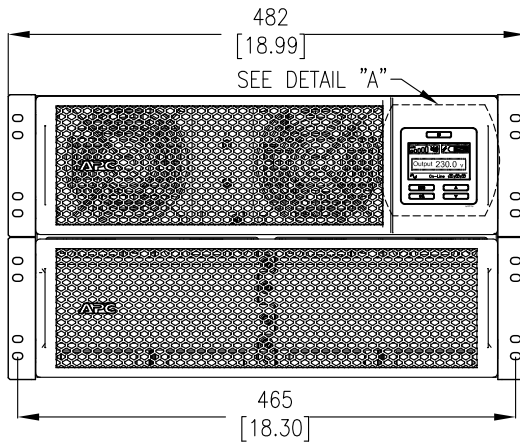
APPROVED BY: M BEG 04-JUN-14

REV 0

THIRD ANGLE PROJ



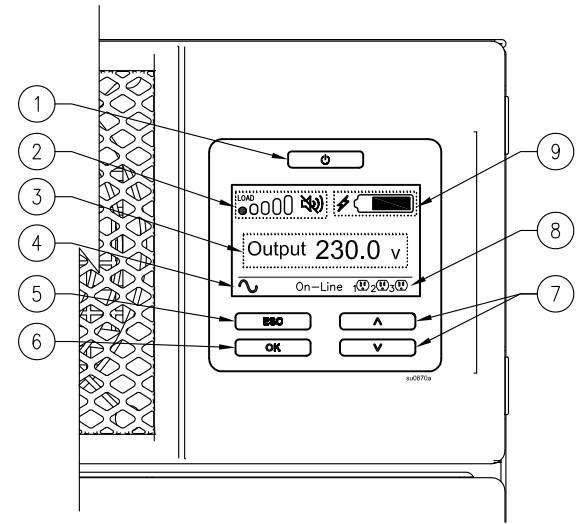
TOP VIEW



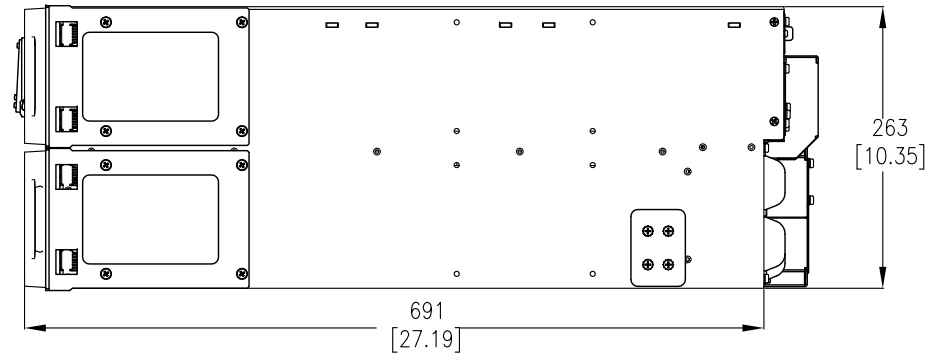
FRONT VIEW

DISPLAY INTERFACE:

1. POWER "ON/OFF" BUTTON.
2. LOAD ICON, DISABLE/MUTE AUDIBLE ALARM ICON.
3. UPS STATUS INFORMATION.
4. OPERATION MODE ICONS.
5. "ESCAPE" BUTTON.
6. "OK" BUTTON.
7. "UP/DOWN" BUTTONS.
8. CONTROLLABLE OUTLET GROUP STATUS ICONS.
9. BATTERY STATUS ICONS.



DETAIL "A" – ENLARGED VIEW



SIDE VIEW

NOTES:

1. INSTALLATION SHALL COMPLY WITH ALL APPLICABLE NATIONAL, STATE AND LOCAL CODES.
2. PLEASE REFER TO PRODUCT DOCUMENTATION FOR FURTHER INFORMATION.
3. UNLESS OTHERWISE SPECIFIED, ALL DIMENSIONS ARE IN MILLIMETERS [INCHES].
4. WEIGHT OF UNIT IS 111.82 KG [246.00 LBS].
5. CABLE ENTRY FROM REAR SIDE OF UNIT.

THIS DRAWING AND SPECIFICATIONS HEREIN ARE THE PROPERTY OF SCHNEIDER ELECTRIC AND SHALL NOT BE COPIED, REPRODUCED OR USED IN WHOLE OR IN PART, AS THE BASIS FOR THE MANUFACTURE OR SALE OF ITEMS WITHOUT WRITTEN PERMISSION FROM SCHNEIDER ELECTRIC. THIS DRAWING IS BASED UPON LATEST AVAILABLE INFORMATION AND IS SUBJECT TO CHANGE WITHOUT NOTICE.



TITLE: Smart-UPS On-Line (SRT)
 SRT10KRMXLI + SRT192RMBP2 – RACKMOUNT
 INPUT: 220/230/240V (1Ø+N+G), 50/60Hz, 1Ø
 OR 380/400/415V (3Ø+N+G), 50/60Hz, 3Ø
 OUTPUT: 220/230/240V (1Ø+N+G), 50/60Hz, 1Ø
 UPS MAIN MECHANICAL

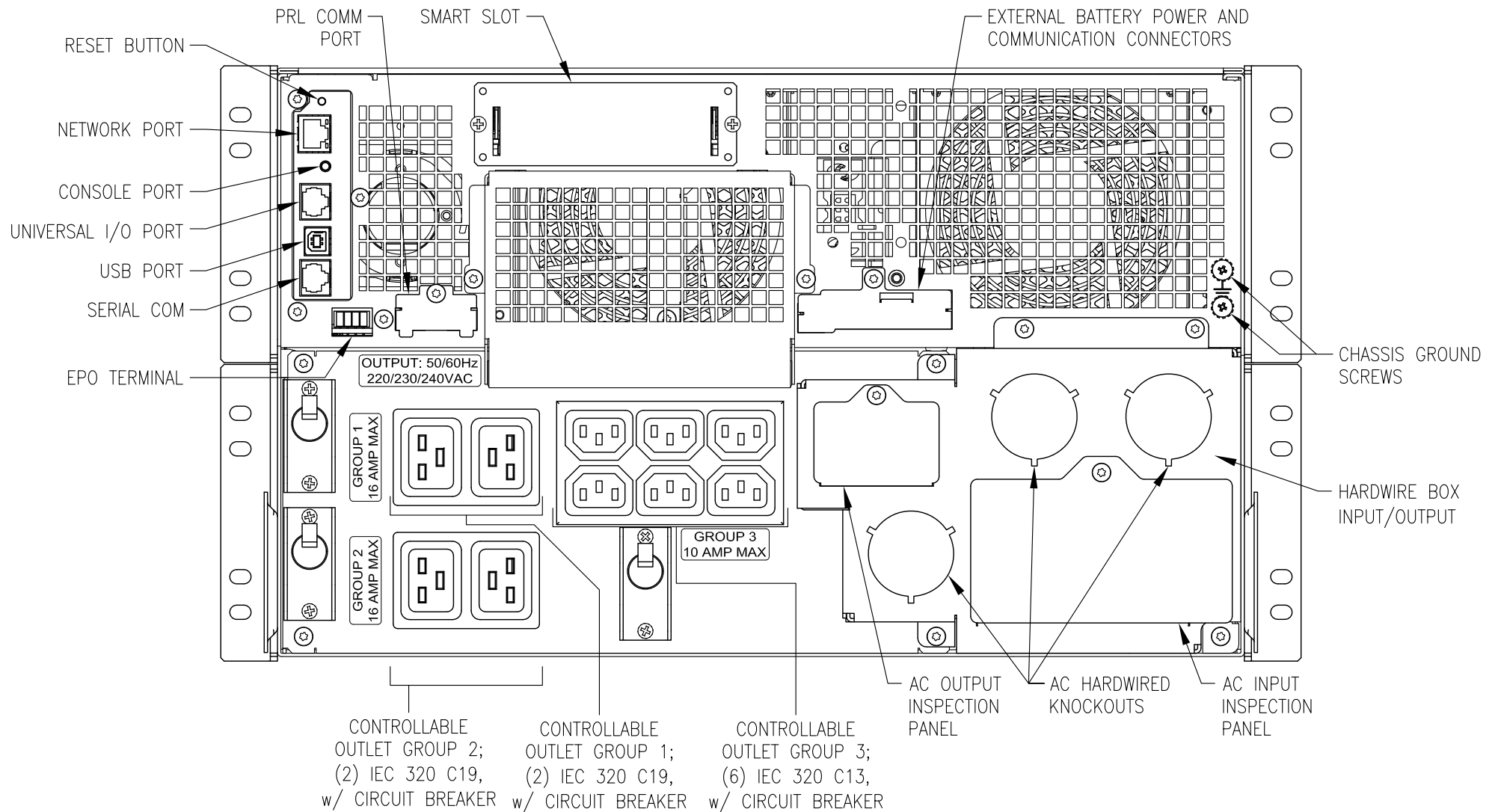
DWG NO: SRT10KRMXLI+SRT192RMBP2

DRAWN BY: S CUNHA 04-JUN-14

ENGINEER: C KUMARSWAMY 04-JUN-14

APPROVED BY: M BEG 04-JUN-14

REV 0
THIRD ANGLE PROJ



REAR VIEW

NOTES:

1. INSTALLATION SHALL COMPLY WITH ALL APPLICABLE NATIONAL, STATE AND LOCAL CODES.
2. PLEASE REFER TO PRODUCT DOCUMENTATION FOR FURTHER INFORMATION.

THIS DRAWING AND SPECIFICATIONS HEREIN ARE THE PROPERTY OF SCHNEIDER ELECTRIC AND SHALL NOT BE COPIED, REPRODUCED OR USED IN WHOLE OR IN PART, AS THE BASIS FOR THE MANUFACTURE OR SALE OF ITEMS WITHOUT WRITTEN PERMISSION FROM SCHNEIDER ELECTRIC. THIS DRAWING IS BASED UPON LATEST AVAILABLE INFORMATION AND IS SUBJECT TO CHANGE WITHOUT NOTICE.

Schneider Electric

TITLE: Smart-UPS On-Line (SRT)
 SRT10KRMXLI + SRT192RMBP2 - RACKMOUNT
 INPUT: 220/230/240V (1Ø+N+G), 50/60Hz, 1Ø
 OR 380/400/415V (3Ø+N+G), 50/60Hz, 3Ø
 OUTPUT: 220/230/240V (1Ø+N+G), 50/60Hz, 1Ø
 UPS REAR VIEW

PROJECT: DRAWING SHEET 3 of 11

DWG NO: SRT10KRMXLI+SRT192RMBP2

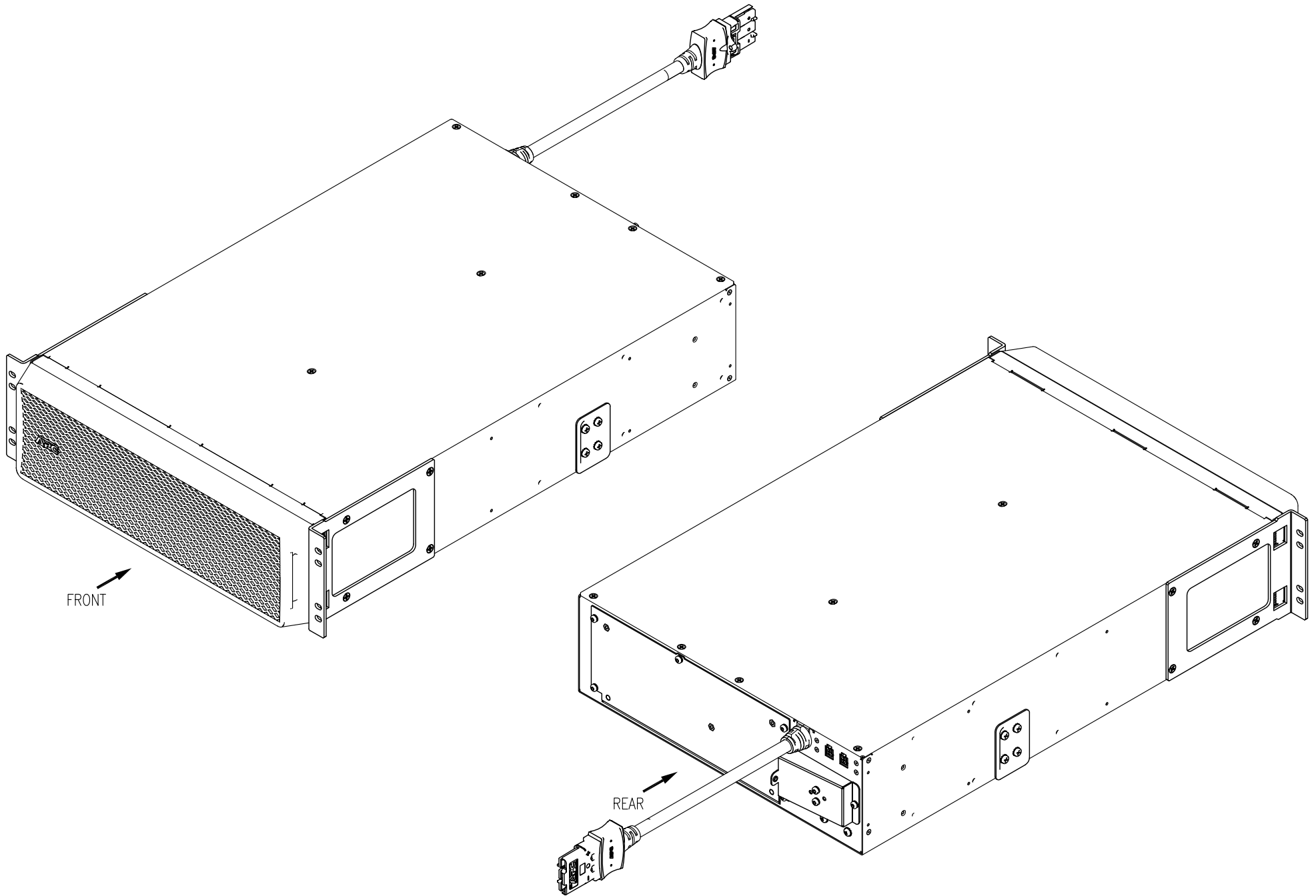
DRAWN BY: S CUNHA 04-JUN-14

ENGINEER: C KUMARSWAMY 04-JUN-14

APPROVED BY: M BEG 04-JUN-14

REV 0

THIRD ANGLE PROJ



NOTES:

1. INSTALLATION SHALL COMPLY WITH ALL APPLICABLE NATIONAL AND LOCAL CODES.
2. SEE PRODUCT DOCUMENTATION FOR FURTHER INFORMATION.

THIS DRAWING AND SPECIFICATIONS HEREIN ARE THE PROPERTY OF SCHNEIDER ELECTRIC AND SHALL NOT BE COPIED, REPRODUCED OR USED IN WHOLE OR IN PART, AS THE BASIS FOR THE MANUFACTURE OR SALE OF ITEMS WITHOUT WRITTEN PERMISSION FROM SCHNEIDER ELECTRIC. THIS DRAWING IS BASED UPON LATEST AVAILABLE INFORMATION AND IS SUBJECT TO CHANGE WITHOUT NOTICE.



TITLE: Smart-UPS On-Line (SRT)
 SRT10KRMXLI + SRT192RMBP2 - RACKMOUNT
 INPUT: 220/230/240V (1Ø+N+G), 50/60Hz, 1Ø
 OR 380/400/415V (3Ø+N+G), 50/60Hz, 3Ø
 OUTPUT: 220/230/240V (1Ø+N+G), 50/60Hz, 1Ø
 XBP ISOMETRIC VIEWS

PROJECT: DRAWING **SHEET** 4 of 11

DWG NO: SRT10KRMXLI+SRT192RMBP2

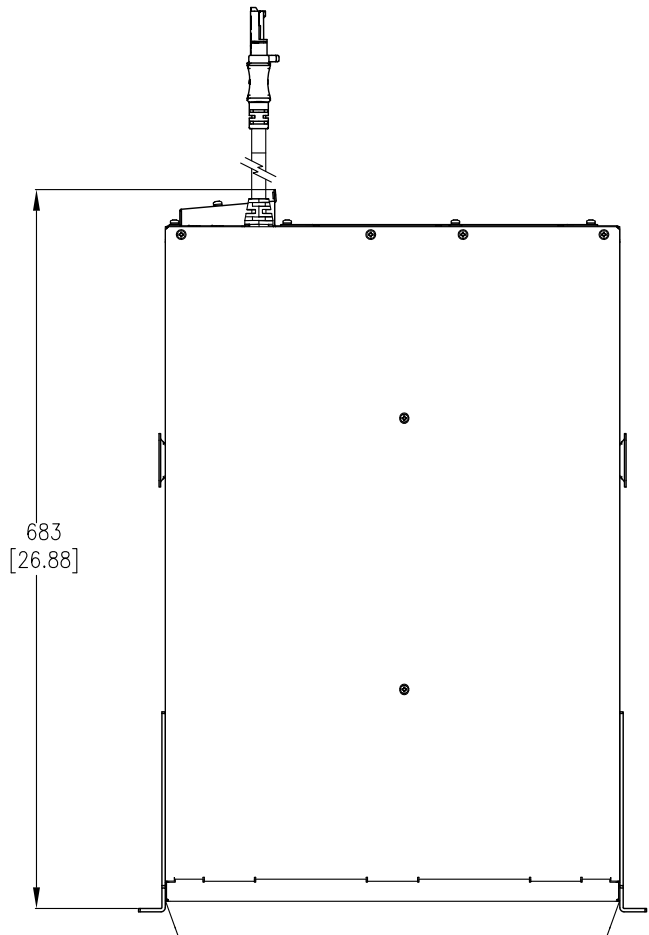
DRAWN BY: S CUNHA 04-JUN-14

ENGINEER: C KUMARSWAMY 04-JUN-14

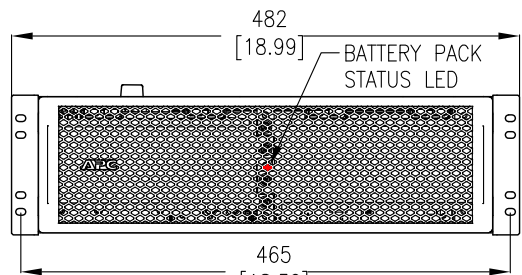
APPROVED BY: M BEG 04-JUN-14

REV 0

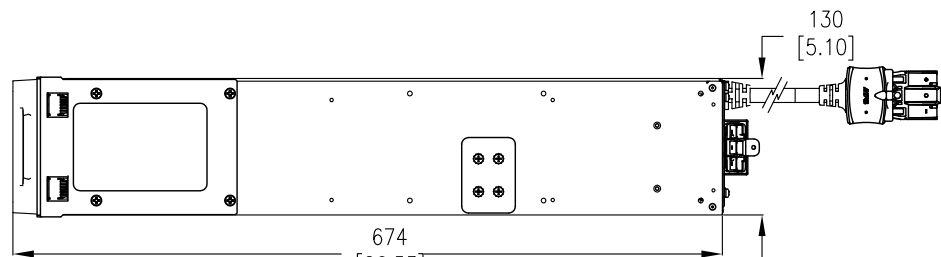
THIRD ANGLE PROJ



TOP VIEW



FRONT VIEW



SIDE VIEW

NOTES:

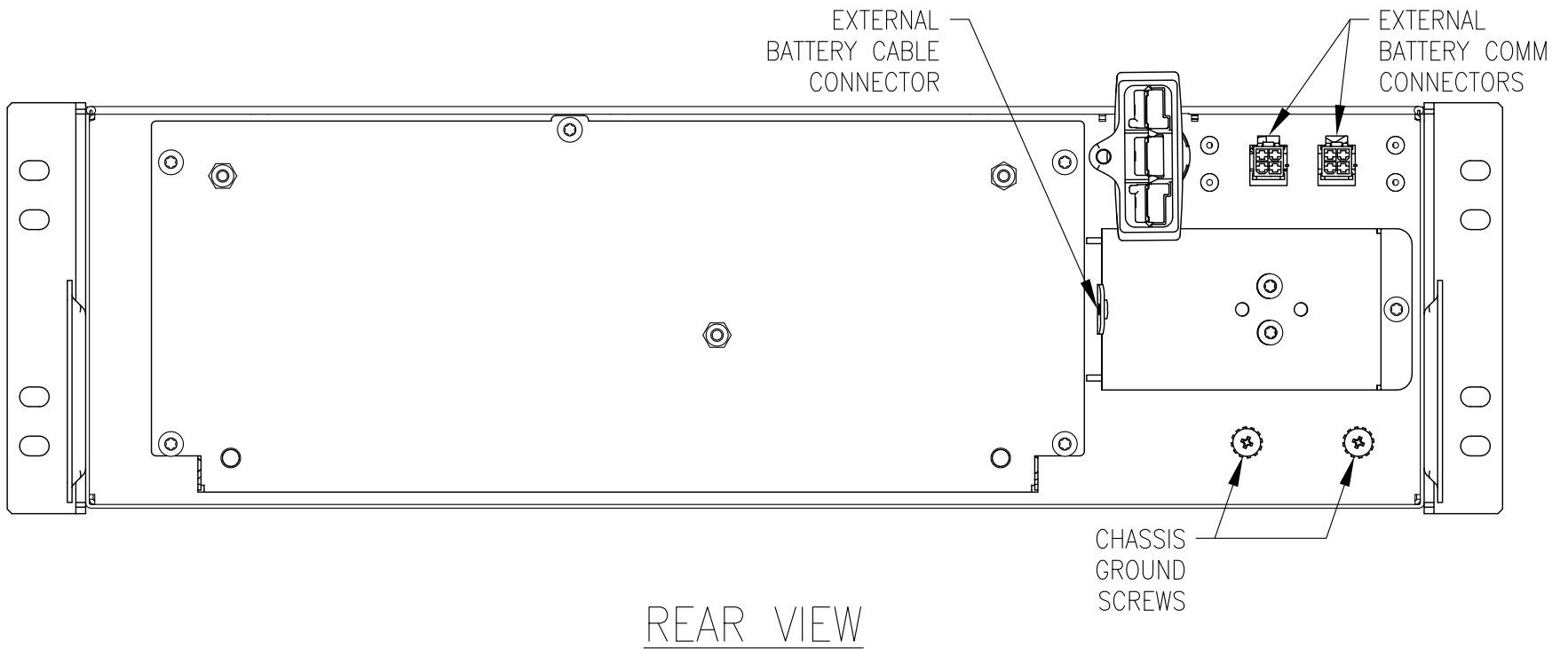
1. INSTALLATION SHALL COMPLY WITH ALL APPLICABLE NATIONAL, STATE AND LOCAL CODES.
2. PLEASE REFER TO PRODUCT DOCUMENTATION FOR FURTHER INFORMATION.
3. UNLESS OTHERWISE SPECIFIED, ALL DIMENSIONS ARE IN MILLIMETERS [INCHES].
4. WEIGHT OF UNIT IS 91.00 KG [200.20 LBS].
5. CABLE ENTRY FROM REAR SIDE OF UNIT.

THIS DRAWING AND SPECIFICATIONS HEREIN ARE THE PROPERTY OF SCHNEIDER ELECTRIC AND SHALL NOT BE COPIED, REPRODUCED OR USED IN WHOLE OR IN PART, AS THE BASIS FOR THE MANUFACTURE OR SALE OF ITEMS WITHOUT WRITTEN PERMISSION FROM SCHNEIDER ELECTRIC. THIS DRAWING IS BASED UPON LATEST AVAILABLE INFORMATION AND IS SUBJECT TO CHANGE WITHOUT NOTICE.



TITLE: Smart-UPS On-Line (SRT)
 SRT10KRMXLI + SRT192RMBP2 - RACKMOUNT
 INPUT: 220/230/240V (1Ø+N+G), 50/60Hz, 1Ø
 OR 380/400/415V (3Ø+N+G), 50/60Hz, 3Ø
 OUTPUT: 220/230/240V (1Ø+N+G), 50/60Hz, 1Ø
 XBP MAIN MECHANICAL

DWG NO: SRT10KRMXLI+SRT192RMBP2		REV 0
DRAWN BY: S CUNHA	04-JUN-14	THIRD ANGLE PROJ
ENGINEER: C KUMARSWAMY	04-JUN-14	
APPROVED BY: M BEG	04-JUN-14	



NOTES:

1. INSTALLATION SHALL COMPLY WITH ALL APPLICABLE NATIONAL, STATE AND LOCAL CODES.
2. PLEASE REFER TO PRODUCT DOCUMENTATION FOR FURTHER INFORMATION.

THIS DRAWING AND SPECIFICATIONS HEREIN ARE THE PROPERTY OF SCHNEIDER ELECTRIC AND SHALL NOT BE COPIED, REPRODUCED OR USED IN WHOLE OR IN PART, AS THE BASIS FOR THE MANUFACTURE OR SALE OF ITEMS WITHOUT WRITTEN PERMISSION FROM SCHNEIDER ELECTRIC. THIS DRAWING IS BASED UPON LATEST AVAILABLE INFORMATION AND IS SUBJECT TO CHANGE WITHOUT NOTICE.



TITLE: Smart-UPS On-Line (SRT)
 SRT10KRMXLI + SRT192RMBP2 - RACKMOUNT
 INPUT: 220/230/240V (1Ø+N+G), 50/60Hz, 1Ø
 OR 380/400/415V (3Ø+N+G), 50/60Hz, 3Ø
 OUTPUT: 220/230/240V (1Ø+N+G), 50/60Hz, 1Ø
 XBP REAR VIEW

DWG NO: SRT10KRMXLI+SRT192RMBP2

REV 0

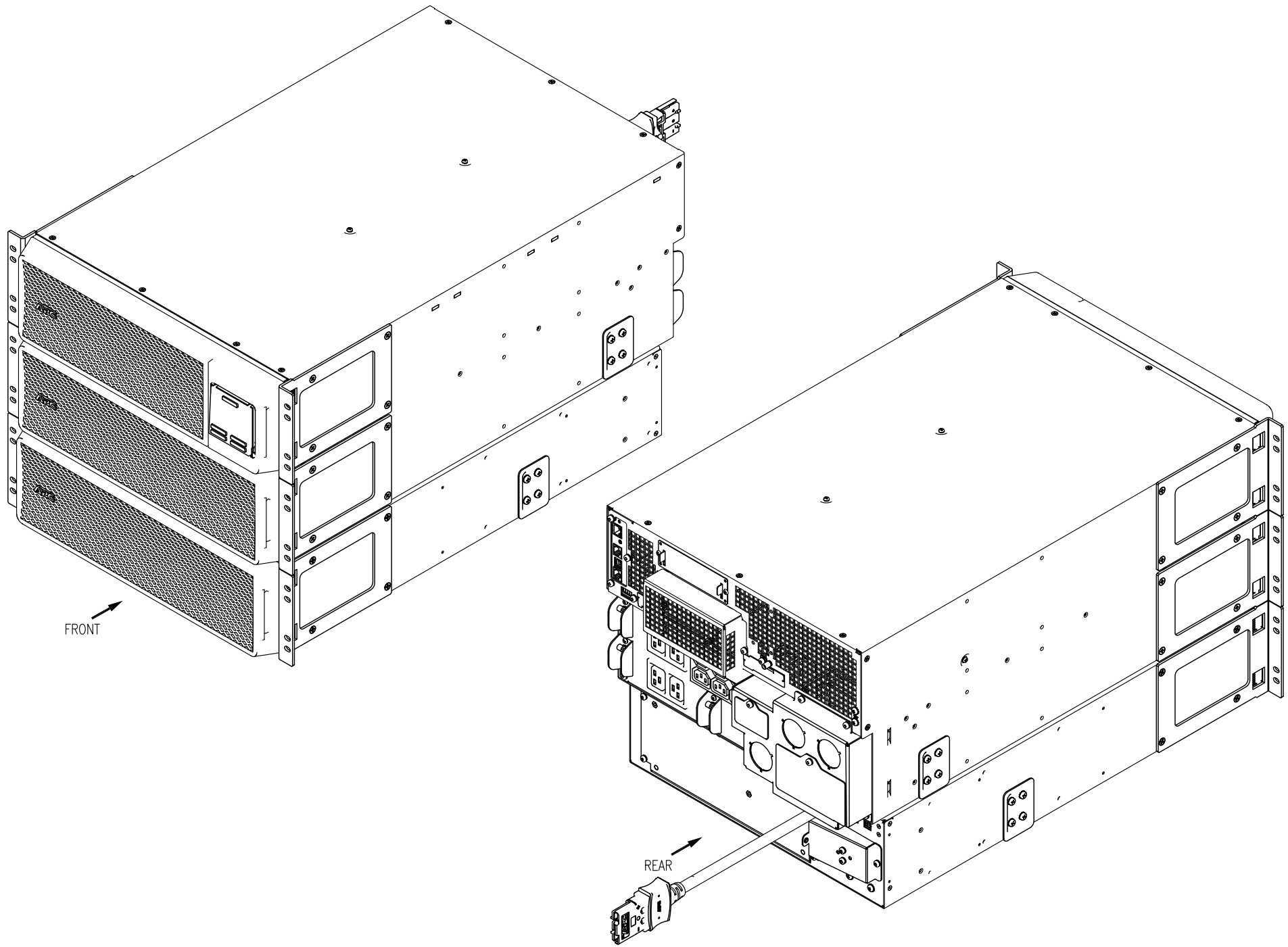
DRAWN BY: S CUNHA 04-JUN-14

ENGINEER: C KUMARSWAMY 04-JUN-14

THIRD ANGLE PROJ

PROJECT: DRAWING SHEET 6 of 11

APPROVED BY: M BEG 04-JUN-14



NOTES:

1. INSTALLATION SHALL COMPLY WITH ALL APPLICABLE NATIONAL AND LOCAL CODES.
2. SEE PRODUCT DOCUMENTATION FOR FURTHER INFORMATION.

THIS DRAWING AND SPECIFICATIONS HEREIN ARE THE PROPERTY OF SCHNEIDER ELECTRIC AND SHALL NOT BE COPIED, REPRODUCED OR USED IN WHOLE OR IN PART, AS THE BASIS FOR THE MANUFACTURE OR SALE OF ITEMS WITHOUT WRITTEN PERMISSION FROM SCHNEIDER ELECTRIC. THIS DRAWING IS BASED UPON LATEST AVAILABLE INFORMATION AND IS SUBJECT TO CHANGE WITHOUT NOTICE.



TITLE: Smart-UPS On-Line (SRT)
 SRT10KRMXL1 + SRT192RMBP2 - RACKMOUNT
 INPUT: 220/230/240V (1Ø+N+G), 50/60Hz, 1Ø
 OR 380/400/415V (3Ø+N+G), 50/60Hz, 3Ø
 OUTPUT: 220/230/240V (1Ø+N+G), 50/60Hz, 1Ø
 BAYED ISOMETRIC VIEWS

PROJECT: DRAWING SHEET 7 of 11

DWG NO: SRT10KRMXL1+SRT192RMBP2

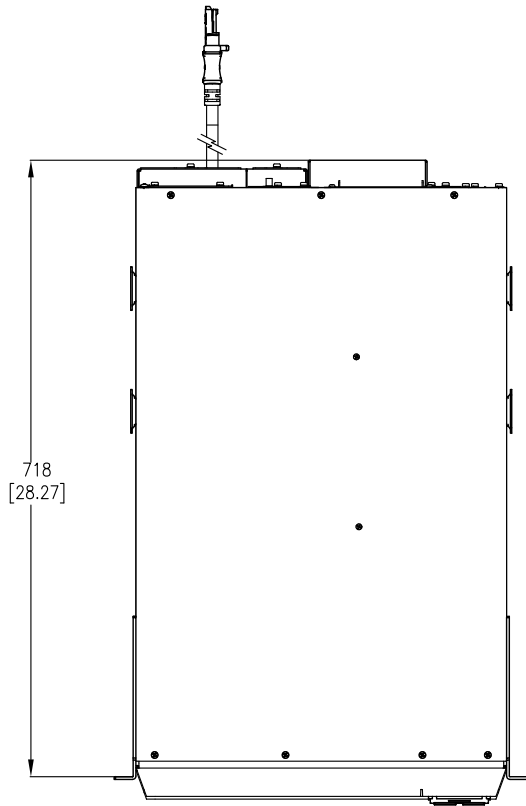
DRAWN BY: S CUNHA 04-JUN-14

ENGINEER: C KUMARSWAMY 04-JUN-14

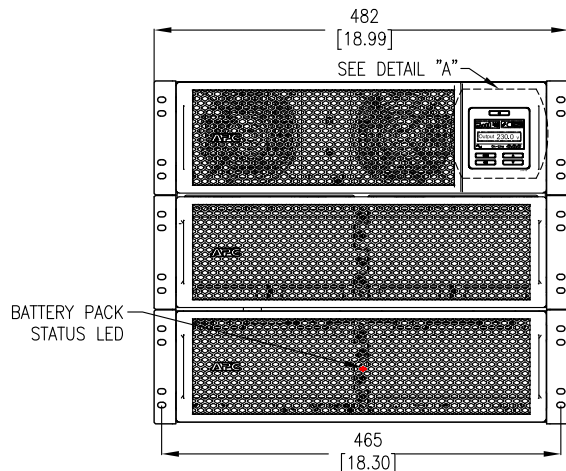
APPROVED BY: M BEG 04-JUN-14

REV 0

THIRD ANGLE PROJ



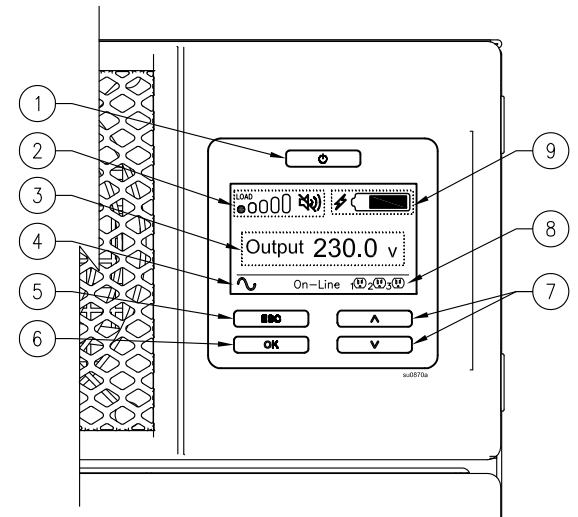
TOP VIEW



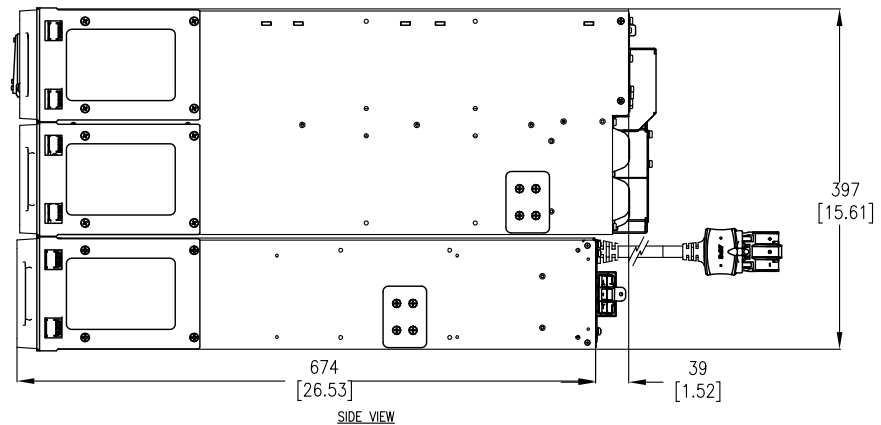
FRONT VIEW

DISPLAY INTERFACE:

1. POWER "ON/OFF" BUTTON.
2. LOAD ICON, DISABLE/MUTE AUDIBLE ALARM ICON.
3. UPS STATUS INFORMATION.
4. OPERATION MODE ICONS.
5. "ESCAPE" BUTTON.
6. "OK" BUTTON.
7. "UP/DOWN" BUTTONS.
8. CONTROLLABLE OUTLET GROUP STATUS ICONS.
9. BATTERY STATUS ICONS.



DETAIL "A" - ENLARGED VIEW



SIDE VIEW

NOTES:

1. INSTALLATION SHALL COMPLY WITH ALL APPLICABLE NATIONAL, STATE AND LOCAL CODES.
2. PLEASE REFER TO PRODUCT DOCUMENTATION FOR FURTHER INFORMATION.
3. UNLESS OTHERWISE SPECIFIED, ALL DIMENSIONS ARE IN MILLIMETERS [INCHES].
4. WEIGHT OF UNIT IS 202.82 KG [446.20 LBS].
5. CABLE ENTRY FROM REAR SIDE OF UNIT.

THIS DRAWING AND SPECIFICATIONS HEREIN ARE THE PROPERTY OF SCHNEIDER ELECTRIC AND SHALL NOT BE COPIED, REPRODUCED OR USED IN WHOLE OR IN PART, AS THE BASIS FOR THE MANUFACTURE OR SALE OF ITEMS WITHOUT WRITTEN PERMISSION FROM SCHNEIDER ELECTRIC. THIS DRAWING IS BASED UPON LATEST AVAILABLE INFORMATION AND IS SUBJECT TO CHANGE WITHOUT NOTICE.



TITLE: Smart-UPS On-Line (SRT)
 SRT10KRMXLI + SRT192RMBP2 - RACKMOUNT
 INPUT: 220/230/240V (1Ø+N+G), 50/60Hz, 1Ø
 OR 380/400/415V (3Ø+N+G), 50/60Hz, 3Ø
 OUTPUT: 220/230/240V (1Ø+N+G), 50/60Hz, 1Ø
 BAYED MAIN MECHANICAL

PROJECT: DRAWING SHEET 8 of 11

DWG NO: SRT10KRMXLI+SRT192RMBP2

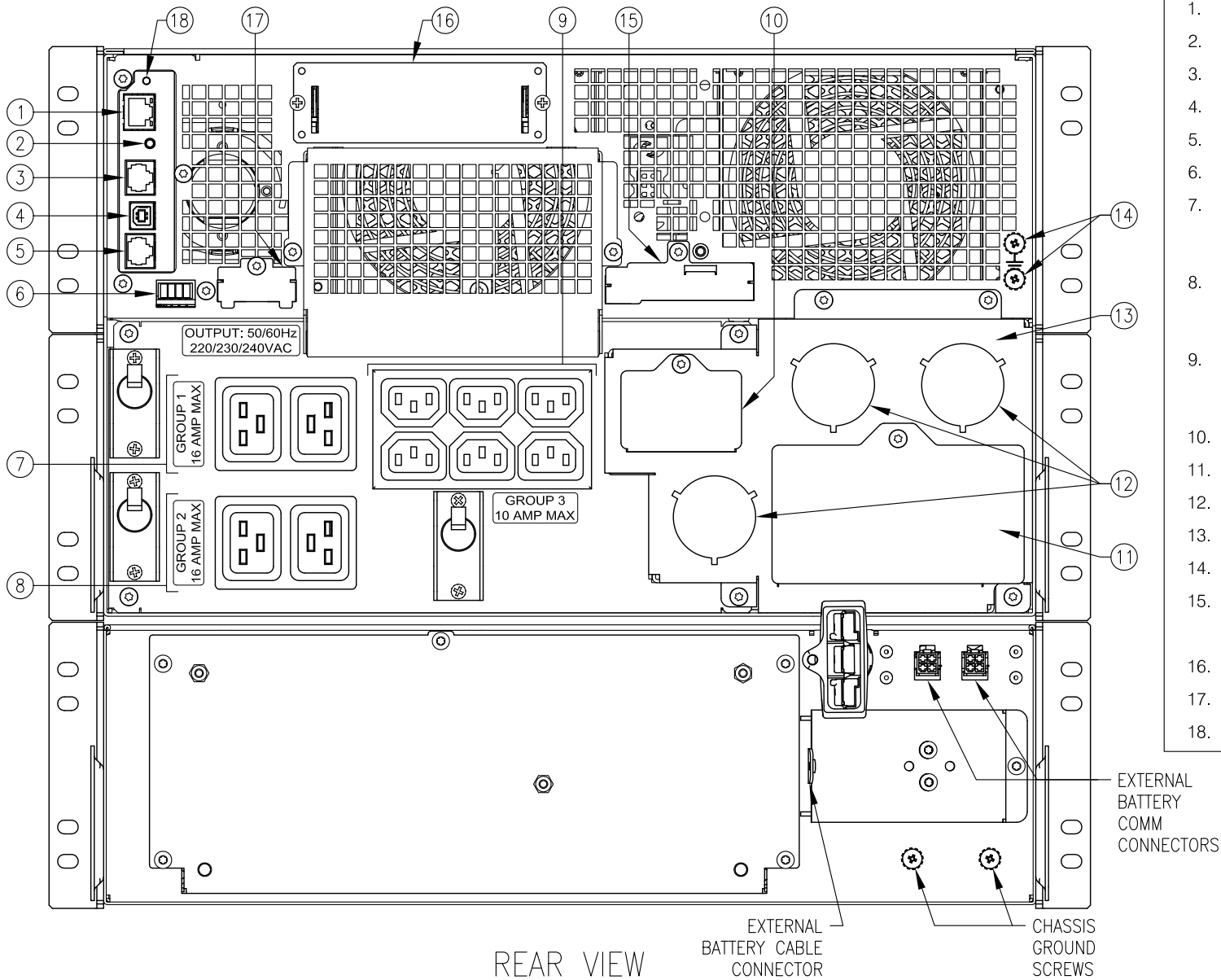
DRAWN BY: S CUNHA 04-JUN-14

ENGINEER: C KUMARSWAMY 04-JUN-14

APPROVED BY: M BEG 04-JUN-14

REV 0
THIRD ANGLE PROJ

SRT10KRMXLI: (NUMBERING PER OPERATIONS MANUAL)



1. NETWORK PORT
2. CONSOLE PORT
3. UNIVERSAL I/O PORT
4. USB PORT
5. SERIAL COM
6. EPO TERMINAL
7. CONTROLLABLE OUTLET GROUP 1 [(2) IEC 320 C19] WITH CIRCUIT BREAKER
8. CONTROLLABLE OUTLET GROUP 2 [(2) IEC 320 C19] WITH CIRCUIT BREAKER
9. CONTROLLABLE OUTLET GROUP 3 [(6) IEC 320 C13] WITH CIRCUIT BREAKER
10. AC OUTPUT INSPECTION PANEL
11. AC INPUT INSPECTION PANEL
12. AC HARDWIRE KNOCKOUTS
13. HARDWIRE BOX INPUT/OUTPUT
14. CHASSIS GROUND SCREWS
15. EXTERNAL BATTERY POWER AND COMMUNICATION CONNECTORS
16. SMART SLOT
17. PRL COMM PORT
18. RESET BUTTON

REAR VIEW

EXTERNAL BATTERY CABLE CONNECTOR

CHASSIS GROUND SCREWS

EXTERNAL BATTERY COMM CONNECTORS

NOTES:

1. INSTALLATION SHALL COMPLY WITH ALL APPLICABLE NATIONAL, STATE AND LOCAL CODES.
2. PLEASE REFER TO PRODUCT DOCUMENTATION FOR FURTHER INFORMATION.

THIS DRAWING AND SPECIFICATIONS HEREIN ARE THE PROPERTY OF SCHNEIDER ELECTRIC AND SHALL NOT BE COPIED, REPRODUCED OR USED IN WHOLE OR IN PART, AS THE BASIS FOR THE MANUFACTURE OR SALE OF ITEMS WITHOUT WRITTEN PERMISSION FROM SCHNEIDER ELECTRIC. THIS DRAWING IS BASED UPON LATEST AVAILABLE INFORMATION AND IS SUBJECT TO CHANGE WITHOUT NOTICE.



TITLE: Smart-UPS On-Line (SRT)
 SRT10KRMXLI + SRT192RMBP2 - RACKMOUNT
 INPUT: 220/230/240V (1Ø+N+G), 50/60Hz, 1Ø
 OR 380/400/415V (3Ø+N+G), 50/60Hz, 3Ø
 OUTPUT: 220/230/240V (1Ø+N+G), 50/60Hz, 1Ø
 BAYED REAR VIEW

DWG NO: SRT10KRMXLI+SRT192RMBP2

REV 0

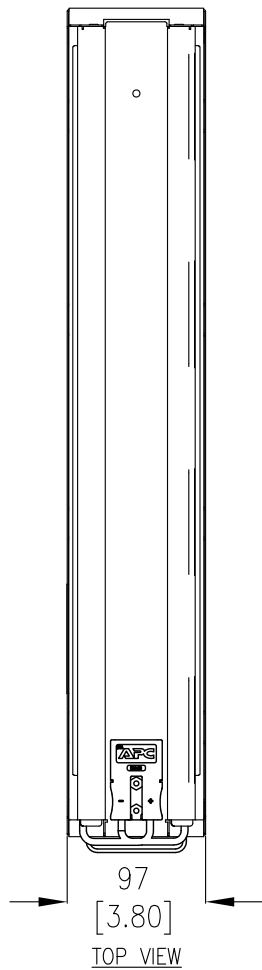
DRAWN BY: S CUNHA 04-JUN-14

ENGINEER: C KUMARSWAMY 04-JUN-14

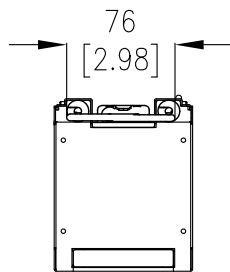
APPROVED BY: M BEG 04-JUN-14

THIRD ANGLE PROJ

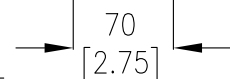
PROJECT: DRAWING SHEET 9 of 11



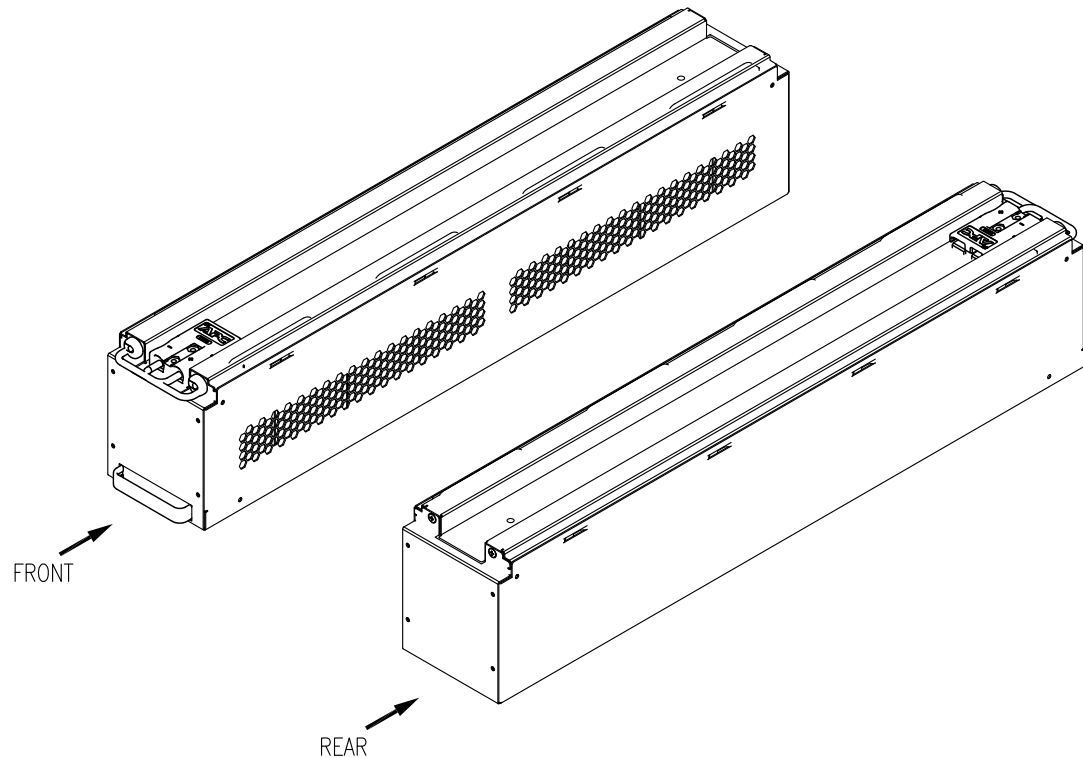
TOP VIEW



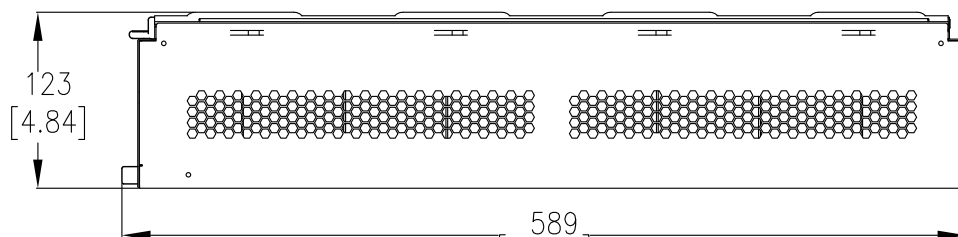
FRONT VIEW



FRONT VIEW



ISOMETRIC VIEWS



SIDE VIEW

NOTES:

1. INSTALLATION SHALL COMPLY WITH ALL APPLICABLE NATIONAL, STATE AND LOCAL CODES.
2. PLEASE REFER TO PRODUCT DOCUMENTATION FOR FURTHER INFORMATION.
3. UNLESS OTHERWISE SPECIFIED, ALL DIMENSIONS ARE IN MILLIMETERS [INCHES].
4. THE APC BATTERY REPLACEMENT CARTRIDGE, APCRBC140, CONSISTS OF (2) BATTERY MODULES.

THIS DRAWING AND SPECIFICATIONS HEREIN ARE THE PROPERTY OF SCHNEIDER ELECTRIC AND SHALL NOT BE COPIED, REPRODUCED OR USED IN WHOLE OR IN PART, AS THE BASIS FOR THE MANUFACTURE OR SALE OF ITEMS WITHOUT WRITTEN PERMISSION FROM SCHNEIDER ELECTRIC. THIS DRAWING IS BASED UPON LATEST AVAILABLE INFORMATION AND IS SUBJECT TO CHANGE WITHOUT NOTICE.



TITLE: Smart-UPS On-Line (SRT)
 SRT10KRMXLI + SRT192RMBP2 - RACKMOUNT
 INPUT: 220/230/240V (1Ø+N+G), 50/60Hz, 1Ø
 OR 380/400/415V (3Ø+N+G), 50/60Hz, 3Ø
 OUTPUT: 220/230/240V (1Ø+N+G), 50/60Hz, 1Ø
 APC REPLACEMENT BATTERY CARTRIDGE #140

PROJECT: DRAWING SHEET 10 of 11

DWG NO: SRT10KRMXLI+SRT192RMBP2

DRAWN BY: S CUNHA 04-JUN-14

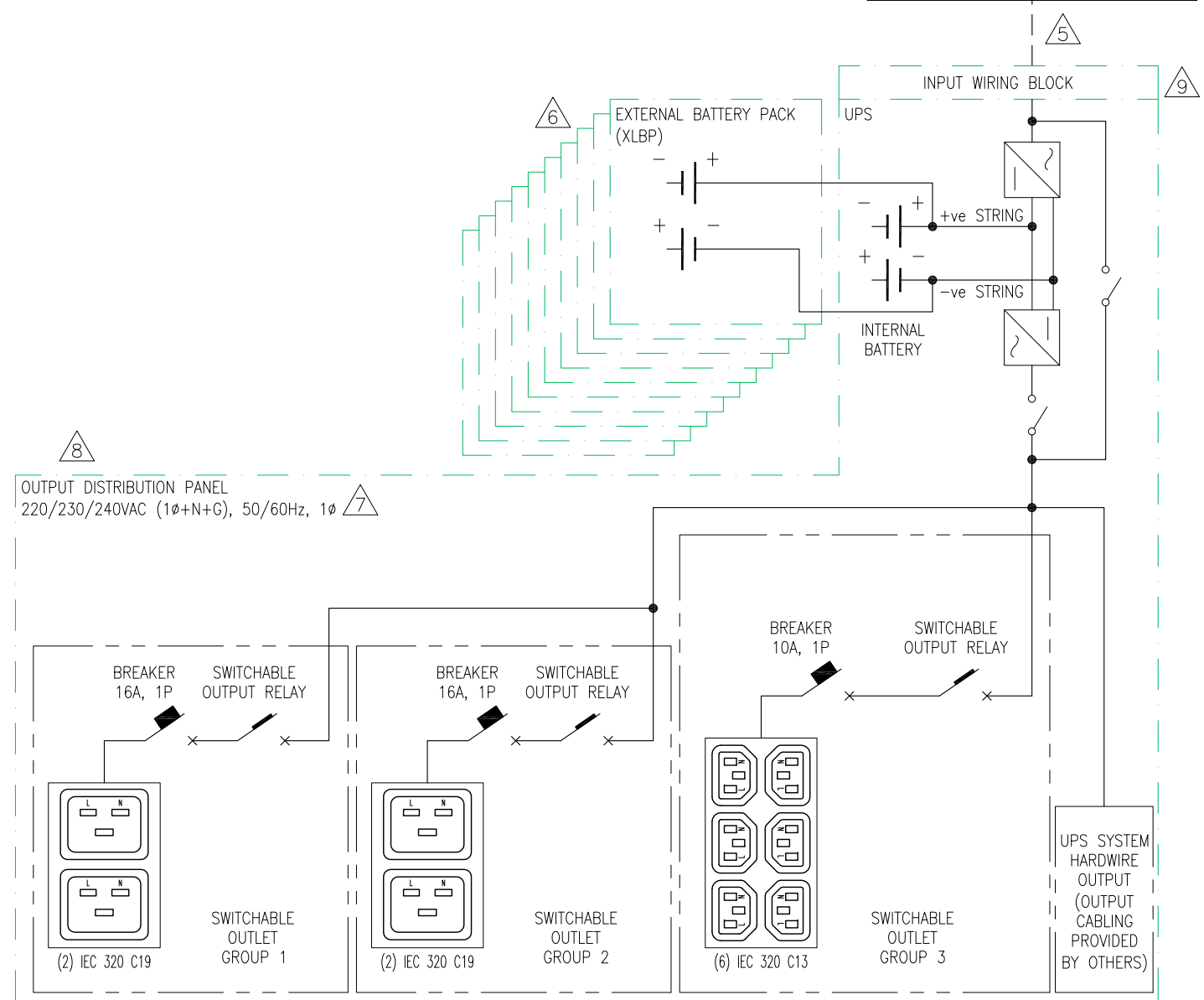
ENGINEER: C KUMARSWAMY 04-JUN-14

APPROVED BY: M BEG 04-JUN-14

REV 0

THIRD ANGLE PROJ

UTILITY SOURCE (PROVIDED BY OTHERS)
 220/230/240VAC (1Ø+N+G), 50/60Hz, 1Ø
 OR 380/400/415VAC (3Ø+N+G), 50/60Hz, 3Ø



NOTES:

1. INSTALLATION SHALL COMPLY WITH ALL APPLICABLE NATIONAL, STATE AND LOCAL CODES.
2. PLEASE REFER TO PRODUCT DOCUMENTATION FOR FURTHER INFORMATION.
3. DRAWING DEPICTS POWER SYSTEM CONNECTIONS AND IS NOT REPRESENTATIVE OF PHYSICAL LAYOUT. PLEASE REFER TO MECHANICAL DRAWINGS FOR MORE SPECIFIC PHYSICAL DATA.
- △4. UTILITY SOURCE MUST BE 1Ø, 220/230/240VAC (1Ø+N+G), 50/60Hz OR 380/400/415VAC (3Ø+N+G), 50/60Hz, 3Ø PROVIDED BY OTHERS.
- △5. DASHED LINES BETWEEN UNITS (-----) REPRESENT CABLING PROVIDED BY OTHERS.
- △6. ADDITIONAL EXTERNAL BATTERY PACKS (UP TO 10), CAN BE CONNECTED TO INCREASE THE RUN TIME FURTHER.
- △7. OUTPUT DISTRIBUTION PANEL CONTAINS SWITCHABLE OUTPUT GROUPS. REFER TO INSTALLATION MANUAL FOR DETAILED INSTRUCTIONS.
- △8. OPTIONAL PDU PANELS CAN BE PURCHASED SEPARATELY & INSTALLED TO PROVIDE ALTERNATIVE LOAD CONNECTIONS.
- △9. FACTORY DEFAULT INPUT WIRING BLOCK CONFIGURATION IS 1-PHASE & 1-FEED. THIS CAN BE CONFIGURED FOR 3-PHASE OR DUAL FEED UTILITY SOURCES. REFER TO INSTALLATION MANUAL FOR DETAILED INSTRUCTIONS.

THIS DRAWING AND SPECIFICATIONS HEREIN ARE THE PROPERTY OF SCHNEIDER ELECTRIC AND SHALL NOT BE COPIED, REPRODUCED OR USED IN WHOLE OR IN PART, AS THE BASIS FOR THE MANUFACTURE OR SALE OF ITEMS WITHOUT WRITTEN PERMISSION FROM SCHNEIDER ELECTRIC. THIS DRAWING IS BASED UPON LATEST AVAILABLE INFORMATION AND IS SUBJECT TO CHANGE WITHOUT NOTICE.



TITLE: Smart-UPS On-Line (SRT)
 SRT10KRMXL1 + SRT192RMBP2 - RACKMOUNT
 INPUT: 220/230/240V (1Ø+N+G), 50/60Hz, 1Ø
 OR 380/400/415V (3Ø+N+G), 50/60Hz, 3Ø
 OUTPUT: 220/230/240V (1Ø+N+G), 50/60Hz, 1Ø
 SINGLE-LINE DIAGRAM

PROJECT: DRAWING SHEET 11 of 11

DWG NO: SRT10KRMXL1+SRT192RMBP2

DRAWN BY: S CUNHA 04-JUN-14

ENGINEER: C JAYARAMAN 04-JUN-14

APPROVED BY: M BEG 04-JUN-14

REV 0
 PROJ ANGLE N/A